



PROCRRAFT DROPPER SEATPOST EXTERNAL CABLE ROUTING

ASSEMBLY AND USER GUIDE

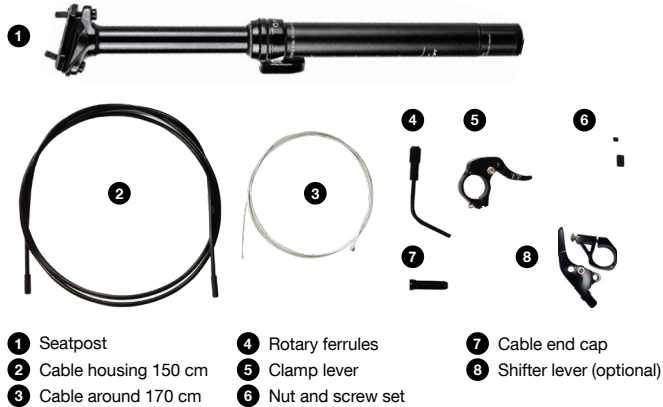


EN

INTRODUCTION

PROCRRAFT Dropper Post providing riders with a way to adjust saddle height without tools. Freely and easily positioning your saddle height according to the terrain you meet. The remote lever & MICRO adjustment offer quick and safe seat position applied with reliable and robust technology. Unique, elegant, and an easy to assemble head design. Please read through these instructions thoroughly and carefully before installing and operating the seatpost and always keep this manual for your further reference.

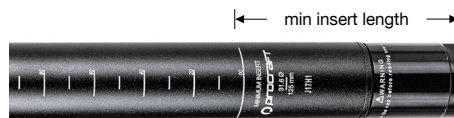
PACKAGE CONTENT



- 1 Seatpost
- 2 Cable housing 150 cm
- 3 Cable around 170 cm
- 4 Rotary ferrules
- 5 Clamp lever
- 6 Nut and screw set
- 7 Cable end cap
- 8 Shifter lever (optional)

INSTALLATION

- Ensure the post diameter conforms to the seat tube of frame, make sure there are no interrupts and obstacles within the seat tube that could damage the post or the frame.
- Please plan the cable routing on the bike first, make sure the length, and cut the cable housing at desired length. Keep the inner cable uncut at this stage.
- Install your saddle on the clamp head with 5 mm hex wrench and tighten the bolt/s at recommended torque (see Dropper Seat Post).
- Insert the post into frame and make sure the post's minimum length should be inserted into bike frame. Tighten the seatclamp according to manufacturer's recommended torque, but do not tighten over 6 Nm.
- When adjusting the seat height and moving the seat post within the seat tube, make sure the cable housing and the cable itself are not pinched. Permanent tension on the cable will cause the seat post to failure.



• Cable assembly process:



1. Open the center actuator cover.



2. Run the cable through the housing (with end cap), and fix the cable housing at below of the cover.



3. Install the cable inside the actuator space.



4. Close the cover.

• Standard lever assembly:



5. Run the cable through the rotary ferrules to the lever.



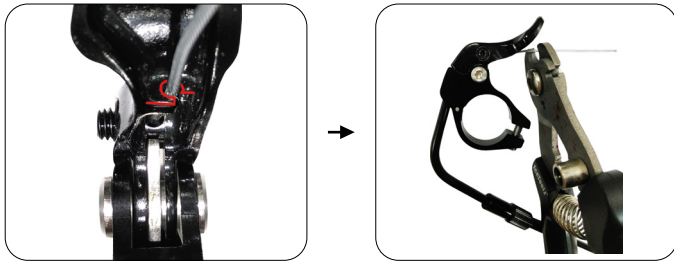
6. Put the nut into the lever with screw set at the left side of lever.

⚠ The nut should be positioned on the curve part of the center blade.



7. Pull the cable until it is tight and fix the screw with 2 mm allen key.

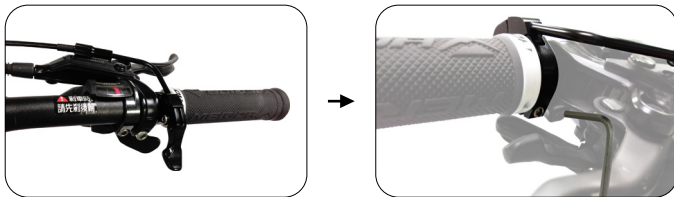




8. Push the lever for 5-10 times to eliminate possible cable loose.
9. Loosen the screw and pull the cable once again until it is tight, fix the screw with 2mm allen key.



10. Slide the cable into the guide under the lever, cut the cable in appropriate length and fix the cable end.



11. Use 3mm hex allen key to fix the clamp lever on the handlebar.

• **Shifter lever assembly:**
Follow step 6 **without the rotary ferrule** till step 11 to fix the cable end cap under the lever.



Install lever only at the left handlebar side (rider's left hand). Use 3 mm hex allen key to fix the clamp lever onto handlebar.

OPERATION

To lower seat post – Press and hold the lever, un-weight seat and then push down or sit on the saddle to the desired height and then release the lever immediately.

To raise seat post – Remove weight from the saddle and press and hold the lever until the desired height is achieved. Release the lever.

Notes:

If the seat post is lifted while in the lowered position, the inner tube will extend from outer tube. this is normal and it will return to proper position once weight is applied to the saddle. Picking up the bike by the saddle can also cause a temporary, spongy feel.

⚠ WARNING

- Do not attempt aggressive riding until you are totally familiar with the operation and function of the seat post. Note: You will become familiar with this simple procedure quickly with practice.

MAINTENANCE

Routine maintenance of the post will provide years of trouble – free performance. Before every ride: clean the exposed part of the post with a cloth.

⚠ WARNING

- Incorrect sizing interface can result in the post slippage or failure, causing serious personal injury or death.
- Press the lever downward when post is in the down position will cause it to rise up quickly. Do not operate until the saddle is installed on the seat post and the post installed on the bike. Always make sure nothing is in the way of post as it goes from DOWN to UP position. This can cause serious injury.
- Do not adjust the height of the post while riding, as it may result in loss of control.
- Keep away mud and water. When storing for extended periods, keep post in the UP position.
- Do not disassemble or cut the seat post, this could cause severe personal injury and void of warranty.

- Do not loosen the main cap. Ensure the main cap is fully tightened at all the time.



- Always use lower torque recommendation by the manufacturer when installing this seat post.
- If you are not an experienced bicycle mechanic, or do not have the correct tools for this installation, please take the seat post with instructions to your local bike shop and let them handle the installation.

WARRANTY

The statutory warranty applies for the first two years. This regulation only applies to states that have ratified the EU directive. The components are subject to natural wear, depending on use and external conditions. Furthermore, we provide a five-year manufacturer's guarantee on all PROCRAFT parts (to the original purchaser, from the date of purchase) on materials and workmanship.

In case of defects, please contact your PROCRAFT dealer. In the event of a warranty claim, MERIDA & CENTURION Germany GmbH reserves the right to supply the current successor model in the available colorway should the respective higher quality model be unavailable. Assembly and/or modification costs as well as any accessories (resulting from modified dimensions) are not reimbursed in the event of a warranty claim. The manufacturer's warranty is only valid for the original purchaser upon presentation of the customer's proof of purchase, which must show the purchase date, dealer's address, and model number.

Proper usage is a prerequisite for the warranty. The warranty does not cover labor and transportation costs, or subsequent costs caused by defects. Competition use in the scope of road or triathlon racing as well as the MTB parts of cross-country races are covered by the warranty. The warranty becomes void if damage is caused by jumping or overstressing of any other kind as well as the visible consequences of falls. Damage due to wear and tear, neglect, falling, overstressing due to overloading, improper assembly and handling, and modification of components are excluded. In the interest of a long service life and the durability of the components, the manufacturer's assembly instructions and the prescribed maintenance intervals must be strictly observed. Failure to observe the assembly instructions and inspection intervals will void the warranty.

MERIDA & CENTURION Germany GmbH
Blumenstraße 49-51
D-71106 Magstadt
Phone: +49 (0) 7159 / 9459-600
Fax: +49 (0) 7159 / 9459-500
Mail: vertrieb@merida-centurion.com

