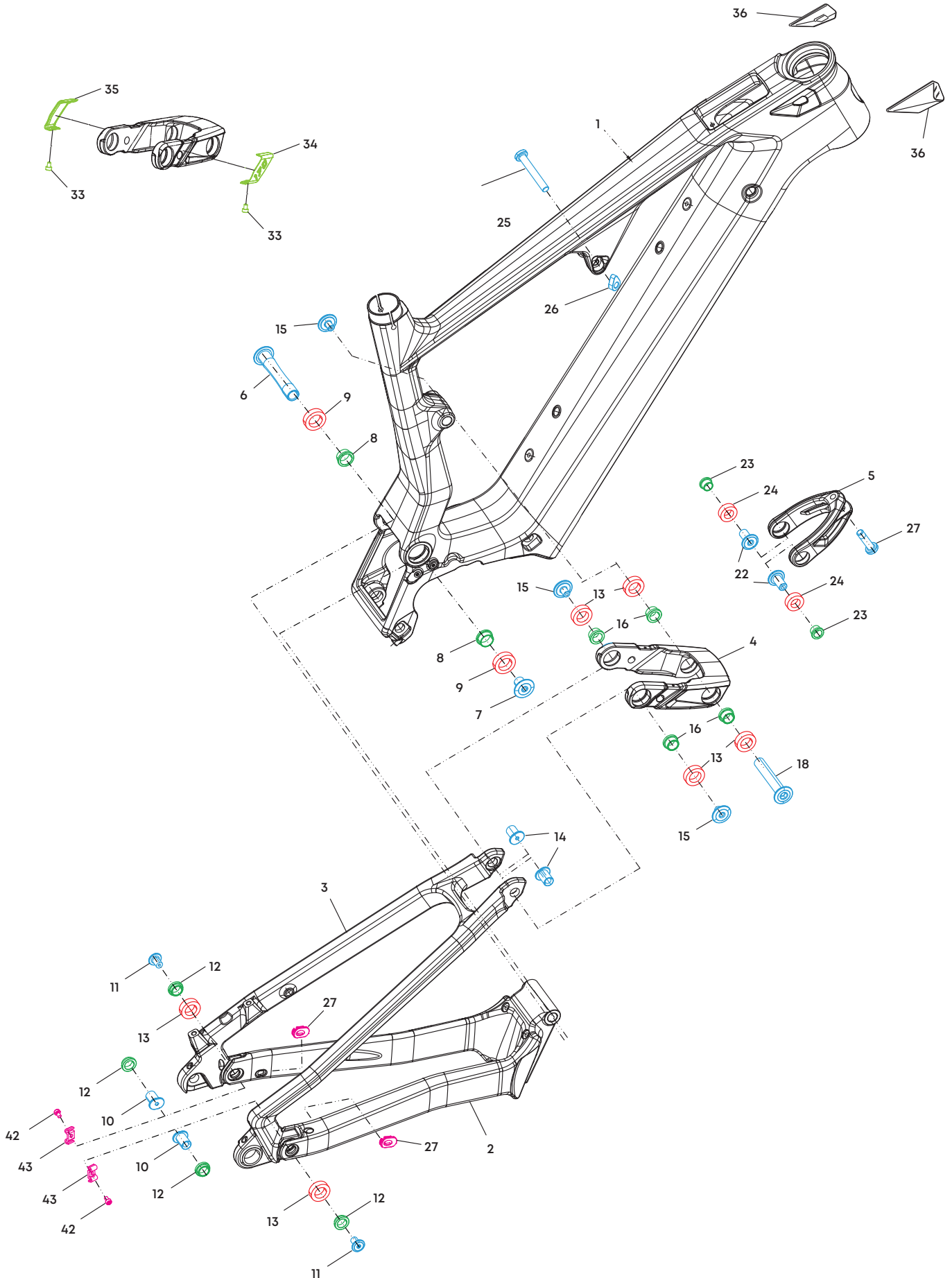


NO POGO CARBON R INTUBE

RAHMENKENNUNG: CTBF-03



| Nr. | Art.-Nr. | Bezeichnung | Detailinformation | Torque / Nm | Anzahl |
|-----|---------------------|----------------------------------|--------------------------------|-------------|--------|
| 10 | 7033000759 | Bolzen BT-223-17MM | 12D x 17L | | 2 |
| 11 | 7033000783 | Schraube BT-222 | M8 x P1.0 x 12L | T30 | 2 |
| 6 | 7033000790 | Bolzen MPA-022 | 15D x 83.5L | Inbus 8 mm | 1 |
| 7 | 7033000784 | Schraube BT-224 | M12 x P1.25 x 13.8L | T40 | 2 |
| 26 | 7033000807 | Mutter NUT-029B | M8 x 8L | | 4 |
| 25 | 7033000787 | Bolzen BT-227 | 8D x 40.5L | T30 | 4 |
| 14 | 7033000786 | Bolzen BT-226 | 12D x 15.3L | | 2 |
| 15 | 7033000785 | Schraube BT-225 | M8 x P1.0 x 10L | T30 | 1 |
| 18 | 7033000791 | Bolzen MPA-023 | 12D x 69L | T40 | 1 |
| 22 | 7033000789 | Schraube BT-229 | M10 x P1.0 x 18.5L | T30 | 2 |
| 27 | 7033000788 | Schraube BT-228 | M8 x P1.0 x 31L | T30 | |
| 8 | 7033000803 | Hülse SW-099 | 15ID x 17OD x 2.5T x 8L | | |
| 12 | 7033000812 | Hülse SW-098-3MM | 12ID x 15OD x 3T x 6.3L | | |
| 16 | 7033000813 | Hülse SW-100-3MM | 12ID x 15OD x 3T x 9L | | |
| 23 | 7033000804 | Hülse SW-101 | 10ID x 12OD x 2.5T x 9L | | |
| 13 | 7033000475 | Kugellager | 3802V-2RD 24D x 15D x 7W | | |
| 9 | 7033000486 | Kugellager | 3803V-2RS 26OD x 17ID x 7W | | |
| 24 | 7033000485 | Kugellager | 3801V-2RS 21OD x 12ID x 7W | | |
| 27 | 7033000393 | Kabelführung CB6-192 | Kabelführung elektrische Kabel | | |
| 42 | 7033000394 - Set T2 | Schraube ISO14580 schwarz | M4 x P0.7 x 6L | T20 | |
| 43 | 7033000394 - Set T1 | Kabelführung CB-268 | Kabelführung elektrische Kabel | | |
| | 7033000592 | Schaltauge | UDH Schaltauge - schwarz | | |
| 33 | 1170300710 - Set T3 | Schraube schwarz | M4 x P0.7 x 6L | | |
| 34 | 1170300710 - Set T2 | Abdeckung Hebel CR-031-R | 170 mm | | |
| 35 | 1170300710 - Set T1 | Abdeckung Hebel CR-031-L | 170 mm | | |
| 36 | 7033000519 | Lufteinlass rechts WI-539R-003-R | selbstklebend | | |
| 36 | 7033000518 | Lufteinlass links WI-539L-002-L | selbstklebend | | |
| 4 | | Hebel RS-170 | No Pogo R Intube III | | |
| 5 | | Hebel EXT-027 | | | |
| | | Federbein | Einbaulänge 230 x 65 mm | | |