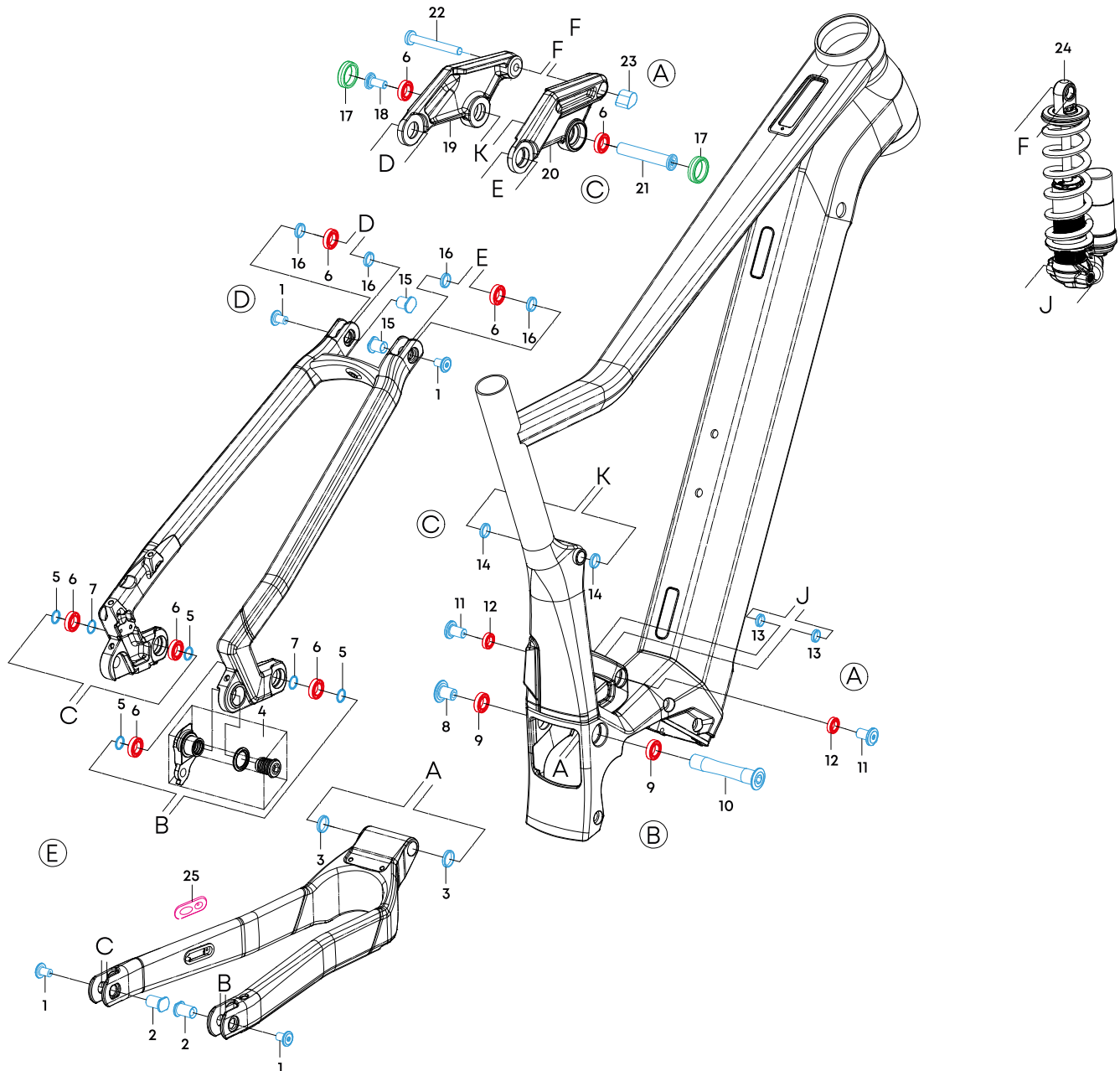


NUMINIS R INTUBE

RAHMENKENNUNG: TBP052A



| Nr. | Art.-Nr. | Bezeichnung | Detailinformation | Torque / Nm | Anzahl |
|-----|----------|-----------------------|---------------------|-------------|--------|
| 1 | 80032004 | Schraube BT-072 | M8 x P1.0 x 12L | T30 | 4 |
| 2 | 80032003 | Bolzen BT-073 | 12D x 8L | | 2 |
| 3 | 80030151 | U-Scheibe EBW-01 | 15D x 20D x 3T | | 2 |
| 5 | 80030170 | U-Scheibe SW-030 | 12D x 17D x 1.5T | | 4 |
| 7 | 80030171 | U-Scheibe SW-031 | 12D x 17D x 1T | | 2 |
| 8 | 80032005 | Schraube BT-081 | M10 x P1.25 x 14.6L | T30 | 1 |
| 10 | 78932400 | Bolzen MPA-016 | 15D x 81.5L | Inbus 8 | 1 |
| 11 | 80032051 | Schraube BT-177 | M10 x P1.0 x 15L | T30 | 2 |
| 13 | 80030143 | U-Scheibe EMTB-09 | 15D x 10.1D x 3T | | 2 |
| 14 | 80030169 | U-Scheibe SW-035 | 12D x 15.2D x 3T | | 2 |
| 15 | 80032052 | Bolzen BT-074 | 12D x 13.5L | | 2 |
| 16 | 80030141 | U-Scheibe SW-32 | 12D x 17D x 2.5T | | 4 |
| 18 | 80032045 | Schraube BT-080 | M8 x P1.0 x 16.5L | T30 | 1 |
| 21 | 78932401 | Bolzen MPA-015 | 12D x 65L | T40 | 1 |
| 22 | 80032054 | Bolzenschraube BT-176 | 8D x 65.5L - M8 | | 1 |
| 23 | 80030209 | Mutter NUT-029 | M8 | | 1 |

| Nr. | Art.-Nr. | Bezeichnung | Detailinformation | Anzahl |
|-----|----------|--------------|--------------------------|--------|
| 4 | 17031779 | Schaltauge | UDH Schaltauge - schwarz | 1 |
| 6 | 17031171 | Kugellager | 6801V-2RS 21D x 12D x 5W | 8 |
| 9 | 17031173 | Kugellager | 3802V-2RD 24D x 15D x 7W | 2 |
| 12 | 17031174 | Kugellager | 6800V-2RS 19D x 10D x 5W | 2 |
| 17 | 72331180 | Designring | Farbe Schwarz | 2 |
| 19 | | HEBEL | | 1 |
| 20 | | HEBEL | | 1 |
| 24 | | FEDERBEIN | Einbaulänge 185 x 50 mm | 1 |
| 25 | 17015032 | Kabelführung | Bremsleitung | 1 |